



# **Facila neXt** **D22S/D22F**

Installation and User manual

## Index

---

Precautions	2
Usage	2
Description	3
Specifications	3
Normal Usage and Usage of the keypad	4
2 Creating and changing codes	4-5
Index Codes	6
Configuration of the door station	7
Mounting	8
Electrical installation	9
Electrical installation of an analogue camera	9
Electrical installation of two door stations	9
Electrical installation of more door stations	10
Electrical installation of an electric lock	10-11
CE Declaration of conformity	12

## Precautions

---

Read this manual carefully before installing or using the appliance.

Entrya Technologies BVBA is not responsible for incorrect installation and non-compliance with local electrical and building regulations.

Entrya Technologies BVBA cannot be held liable for damage and malfunctions arising from failure to observe the installation and operating instructions.

Save all parts and this manual for later use.

Always disconnect the appliance from the power supply before starting work and secure it against restarting switch.

Never use a damaged appliance.

It is not permitted to change parts other than described in this manual.

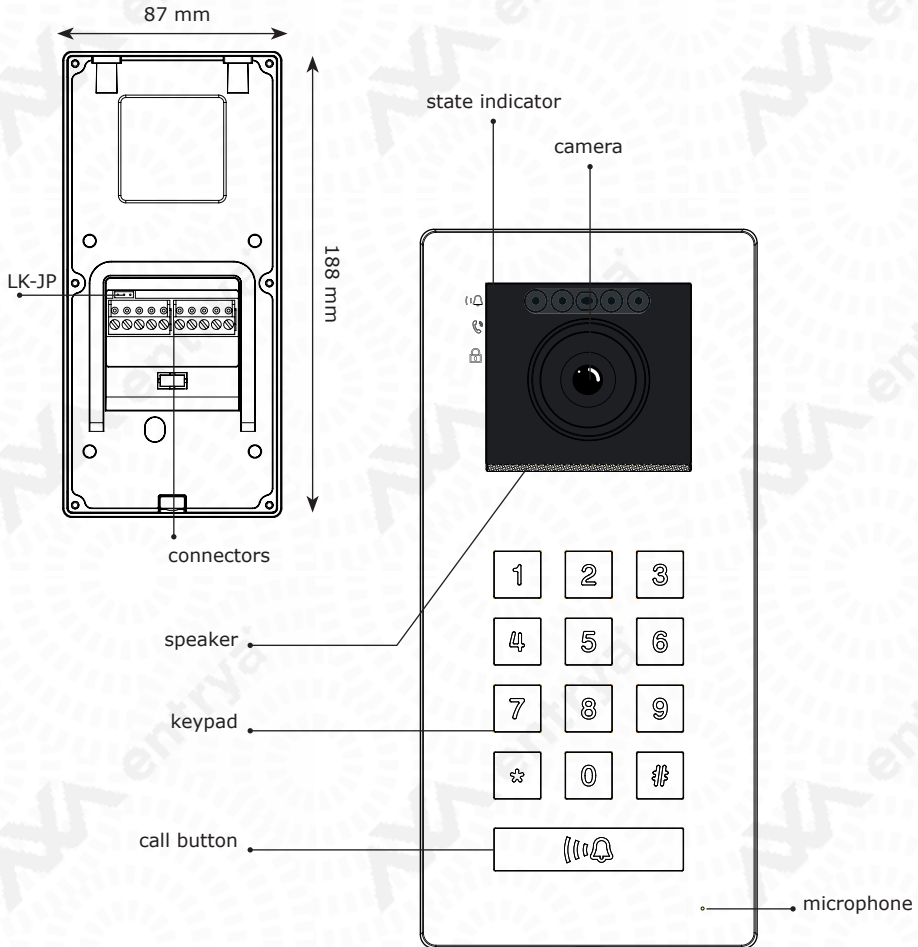
If a fault cannot be resolved, contact a qualified installer. Do not open the device!

## Usage

---

- The manufacturer is not liable for damage caused by other use. The risk is borne exclusively by the operator.
- The appliance may only be in a technically perfect condition and according to the regulations used, also in compliance with the safety and hazard guidelines and the installation and operating instructions.
- Faults that make safe use impossible must be remedied immediately.

## Description



## Specifications

Power Supply	30V DC +/- 2V
Camera	900 TVL, wide angle 150° (H) x 80° (V)
Degree of protection	IP54
Working temperature	-40°C - +65°C
Dimensions	D22S : 87 x 188 x 30 mm D22F : 120 x 220 x 50 mm

## Usage in a Villa system

Push the call button to start a call.



4

## Usage in an apartment system

Press the desired call number and confirm with the call button.

Nr



## Usage of the keypad

Press the code and confirm with # to activate the lock. Push \* to cancel.

Code

#

## Create or change codes

Create up to 40 codes to activate the desired lock outputs.

### Important!

The menu will close automatically after 10 seconds of inactivity.

### Code for Lock 1



### Use parameters 16 up to 35 for configuring up to 20 codes for Lock 1.

Parameter	Code
16	1
17	2
18	3
...	...
34	19
35	20

Enter the Mastercode (default: 1234) and confirm with #.  
When the code is correct, two beeps will be played.

Mastercode #

Choose the desired parameter and confirm with #.  
The door stations sounds two beeps to confirm.

16 ... 35 #

Enter the desired code and confirm with #.  
The door station confirms the input with one beep.

4 - 12 numbers

#



## Temporary code Lock 1

Use parameters 56 up to 59 for configuring 4 temporary codes for Lock 1.

### Important!

Temporary codes are only valid for one time and are deleted 60 seconds after usage. A temporary code can still be used during 60 seconds after usage.

Parameter	Code
56	1
57	2
58	3
59	4


Enter the Mastercode (default: 1234) and confirm with #.  
When the code is correct, two beeps will be played.

Mastercode #  

Choose the desired parameter and confirm with #.  
The door stations sounds two beeps to confirm.

56 ... 59 #  

Enter the desired code and confirm with #.  
The door station confirms the input with one beep.

4 - 12 numbers # 

## Code for Lock 2

Use parameters 36 up to 55 for configuring up to 20 codes for Lock 2.

Parameter	Code
36	1
37	2
38	3
...	...
54	19
55	20


Enter the Mastercode (default: 1234) and confirm with #.  
When the code is correct, two beeps will be played.

Mastercode #  

Choose the desired parameter and confirm with #.  
The door stations sounds two beeps to confirm.

36 ... 55 #  

Enter the desired code and confirm with #.  
The door station confirms the input with one beep.

4 - 12 numbers # 

## Temporary code Lock 2

Use parameters 60 up to 63 for configuring 4 temporary codes for Lock 1.

### Important!

Temporary codes are only valid for one time and are deleted 60 seconds after usage. A temporary code can still be used during 60 seconds after usage.

Parameter	Code
60	1
61	2
62	3
63	4


Enter the Mastercode (default: 1234) and confirm with #.  
When the code is correct, two beeps will be played.

Mastercode #  

Choose the desired parameter and confirm with #.  
The door stations sounds two beeps to confirm.

60 ... 63 #  

Enter the desired code and confirm with #.  
The door station confirms the input with one beep.

4 - 12 numbers # 

# Index Codes


Save the codes in a clear overview on a safe location.

	Lock 1
Code	Name
1	
2	
3	
4	
5	
6	
7	
8	
9	
10	
11	
12	
13	
14	
15	
16	
17	
18	
19	
20	

	Lock 2
Code	Name
1	
2	
3	
4	
5	
6	
7	
8	
9	
10	
11	
12	
13	
14	
15	
16	
17	
18	
19	
20	

## Delete codes

Delete all permanent codes

Mastercode #   07 #  # 

Delete all temporary codes

Mastercode #   07 #  # 

Delete all codes

Mastercode #   07 #  # 

# Configuration Door station

## Restauring Factory Settings

Mastercode # 00  #

## Configure Mastercode

Default: 1234

Mastercode # 01 #  #

## Configuring Nightlight of the keypad

Default: ON

Mastercode # 02 #  #

## Set Unlocking Time Lock 2

Default: 7sec

Mastercode # 03 #  #

## Set Unlocking Time Lock 1

Default: 7sec

Mastercode # 04 #  #

## Lock that is activated with manual button

Default: Both

Mastercode # 05 #  #

## Play sound when unlocking

Default: Uit

Mastercode # 06 #  #

## Set delay of the unlocking

Default: 0sec

Mastercode # 14 #  #

## Set the talking volume

Default: 3

Mastercode # 10 #  #

## Set address of the door station

Default: 1

Mastercode # 11 #  #

## Set System Type

Default: Villa

Mastercode # 12 #  #

## Set Call Tone

Default: ON

Mastercode # 15 #  #

### Restore Mastercode

Open the menu 'Special fonctions' in the indoor monitor M71(W).

Restore Mastercode for address:

1: 8001      2: 8002      3: 8003      4: 8004

Restore all mastercodes: 8000

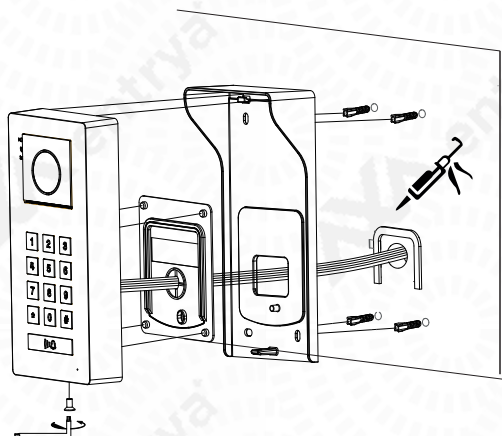
## Mounting

Mount the appliance on a flat surface and use the supplied screws or use mounting materials adapted to the surface. Connect the wiring and select the required settings. Determine the height of the installation according to the situation.

### Important:

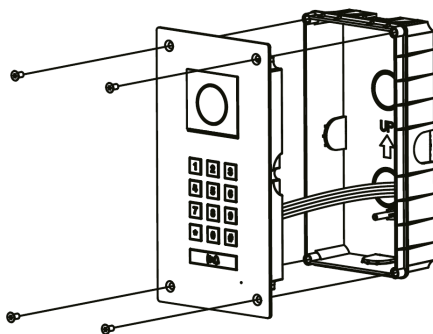
- **Mount the outpost so that no bright light (e.g. street lighting or sunlight) shines directly into the camera lens, otherwise the contrast of the image will be negative affected.**
- **Protect the device from vibrations and falls.**
- **Disturbances in the picture or sound may occur if the unit or wiring is mounted too close to an electromagnetic field. For example: microwave oven, TV, computer, power**

8



1. Drill holes in the wall and attach the mounting frame.
2. Connect the wiring and set the correct settings.
3. Attach the rubber flap.
4. Secure the entrance panel with the screw at the bottom.

- Make an opening in the wall with the following dimensions:  
104 (W) x 205 (H) x 45 (D)
- Attach the flush-mounted box and run the cables through the cable gland.
- Attach the outdoor unit to the flush-mounted box with the supplied screws.



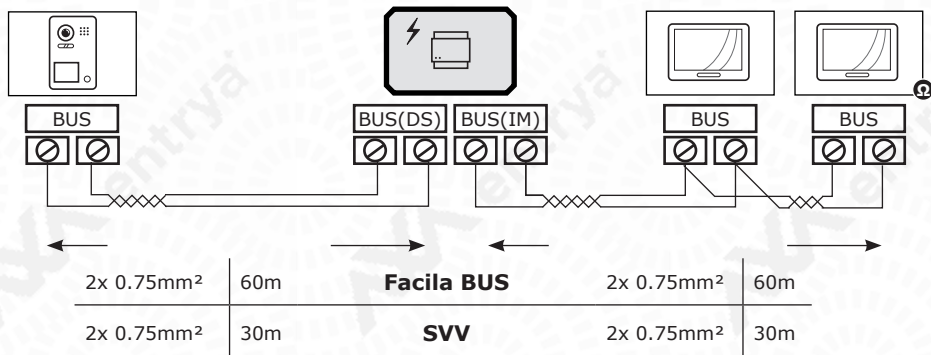
# Electrical Installation

## Attention!

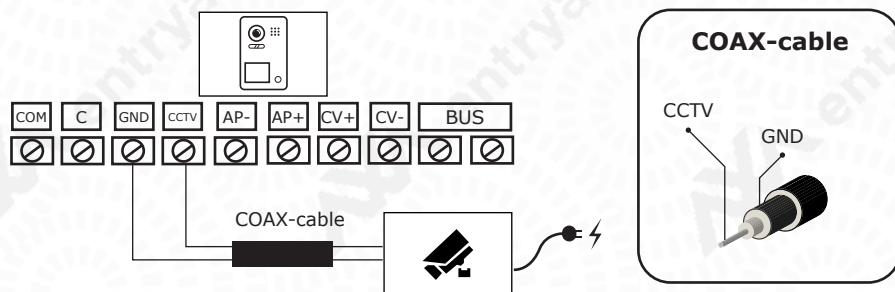
The maximum length of the wiring is limited. The use of cables other than those specified may affect the maximum length of the wiring or cause malfunctions. It is not allowed to place cable with parallel wires (not twisted) over long distances next to other cables. This can cause disturbances in the picture and sound. Always use Facila BUS cable with twisted pairs without shielding.

## Attention!

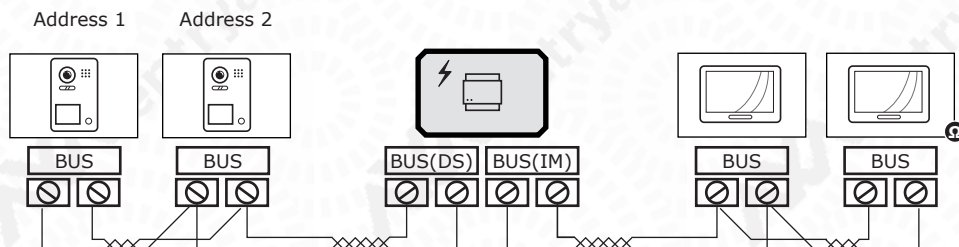
Switch on terminating resistor / impedance switch on accessories or indoor stations with symbol  $\Omega$ .



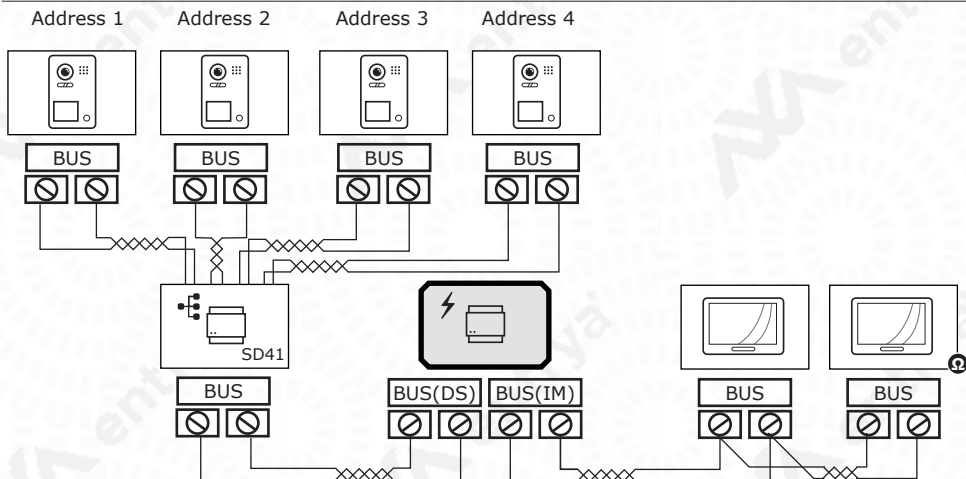
## Electrical installation of an analogue camera



## Electrical installation of two door stations



## Electrical installation of more door stations



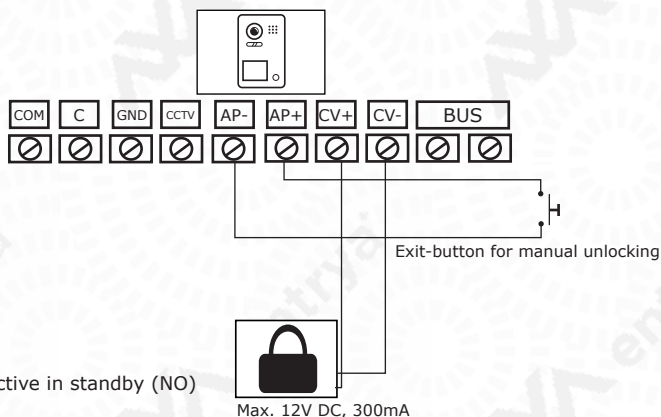
### Set address of the door station

Default: 1

Mastercode # 11 # 1 - 4 #

## Electrical installation of a lock

### Schematic for Lock 1 with internal power supply



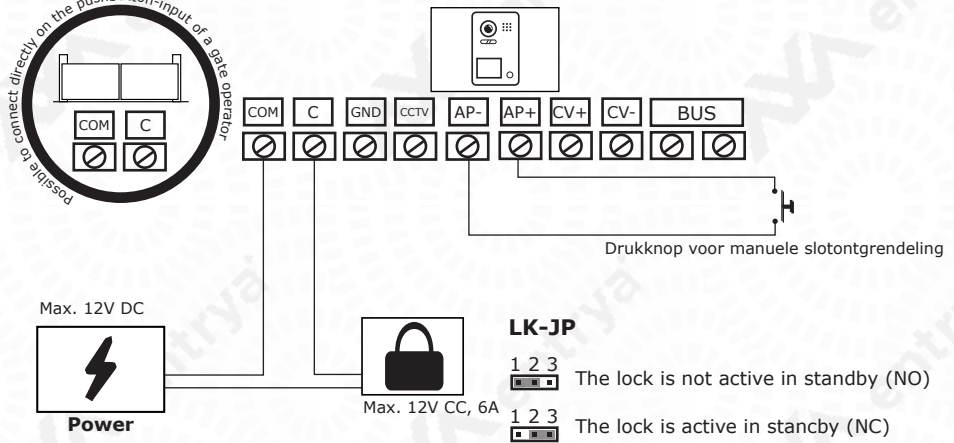
### LK-JP

1 2 3 The lock is not active in standby (NO)

1 2 3 The lock is active in standby (NC)



### Schematic for Lock 2 with external power supply



### Unlock Lock with manual Exit-button

Default: both

Mastercode # 05 # 0: Lock 1 / 1: Lock 2 / 2: Both #

## CE Declaration of Conformity

---

<https://www.entrya.com/ce>